

REVISIONS

ZONE	REV. DESCRIPTION	DATE	APPROVED
A	RELEASED PR#204	8-7-92	J.J.
B	EC#887	10-12-92	I.I.
C	EC#932	1-29-93	I.I.
D	ECO#L02791	1-4-94	I.I.
E	EC#1292	10-17-94	I.I.

PROPRIETARY

MUSICAL INSTRUMENTS

2621 Research Drive
Corona, CA 91728 USA

TITLE: SCHEMATIC DIAGRAM.
ULTIMATE CHORUS AMPLIFIER

SIZE: DRAWING DESIG. NUMBER
D 039242E

REV. REV.

CREATED: 02-APR-92
PLOTTED: 17-OCT-94

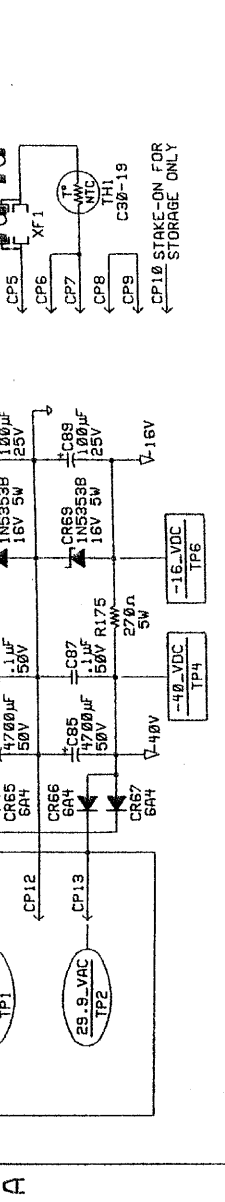
SHEET 1 OF 1

OUTPUT TEST:

63 WATTS RMS @ 5% THD
1KHZ INTO 8 OHMS
EACH CHANNEL

NOTES: UNLESS OTHERWISE SPECIFIED.

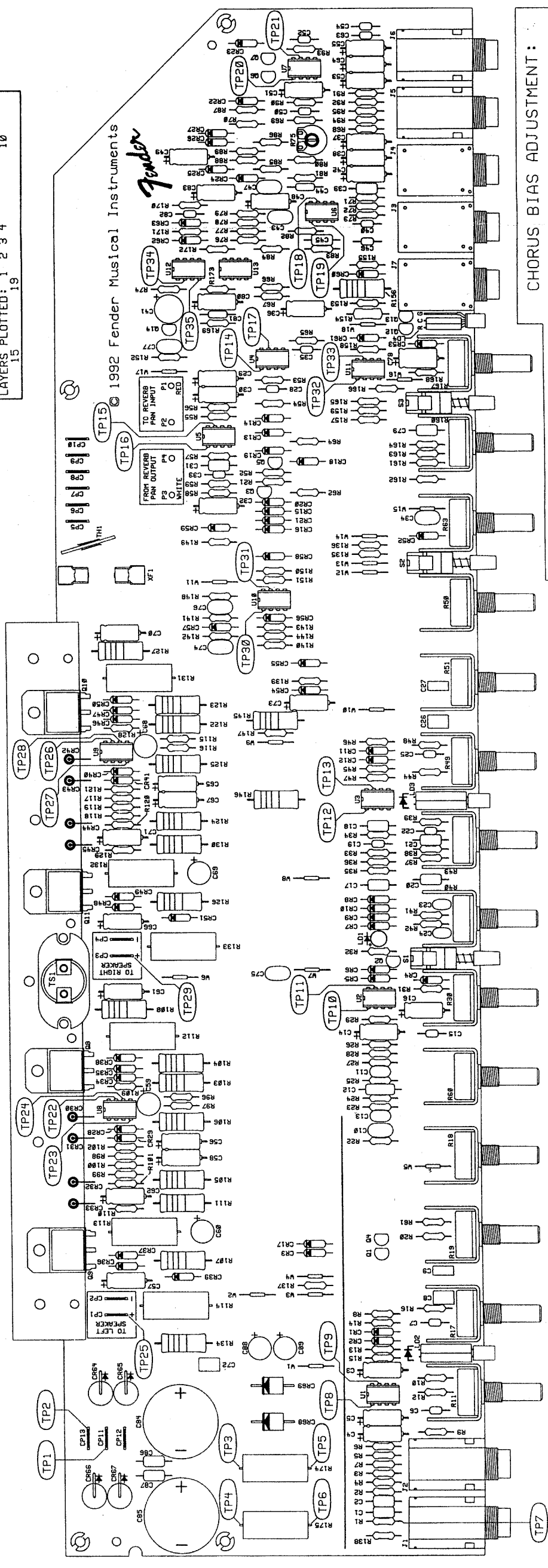
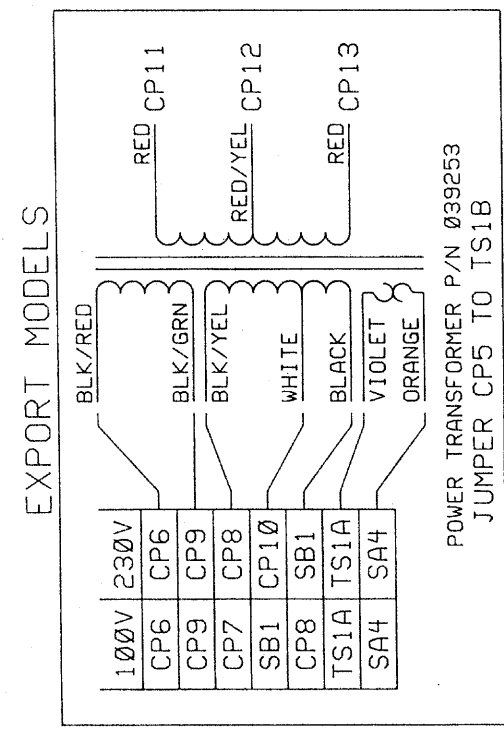
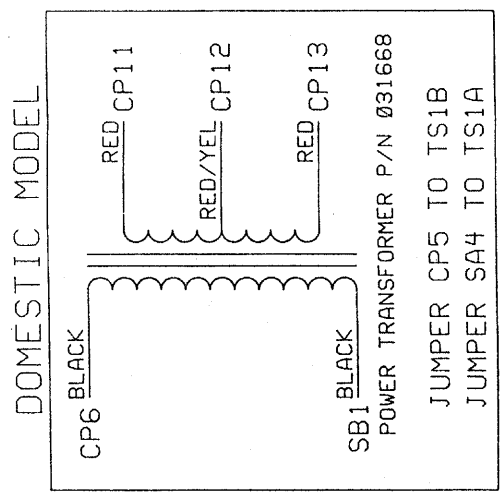
1. ALL RESISTORS 1/4W, ±5%
2. ALL CAPACITORS 50V MINIMUM.
3. ALL DIODES 1N4148.
4. DC VOLTAGES READ TO GROUND WITH MID BOOST OFF, CHORUS SELECT ON, DRIVE SELECT OFF, REVERB ON, DRIVE REVERB ON, CHORUS RATE 10%, CHORUS DEPTH 50%, WAVEFORMS OBSERVED WITH A SCOPE UNDER THE FOLLOWING CONDITIONS:



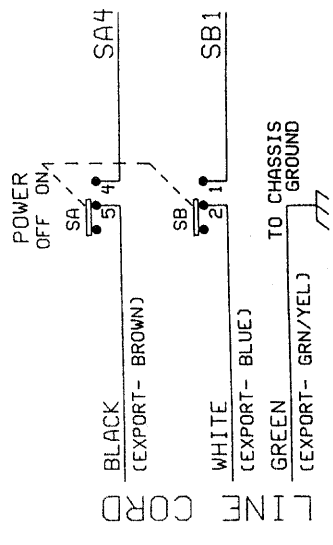
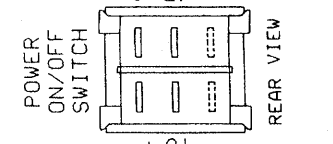
1 2 3 4 5 6 7 8

REVISIONS		
ZONE	REV. DESCRIPTION	DATE APPROVED
A	RELEASED PR #204	8-7-92
B	EC#1292	10-17-94

FILM/DWG: SERVICE DIAGRAM
 DATABASE: ULTRASER DATE: 17-OCT-94
 LAYERS PLOTTED: 1 2 3 4 10
 15 19



CHORUS BIAS ADJUSTMENT:
 WITH CHORUS SELECT ON, SET CHORUS RATE AND DEPTH CONTROLS FULLY CLOCKWISE. CONNECT A 1KHZ SINEWAVE AT ABOUT 1.5 VOLTS RMS TO THE MONO EFFECTS LOOP RETURN JACK (J4). ADJUST TRIMPOT R75 FOR SYMMETRICAL CLIPPING AT U6 PIN 1 (TP19).



PROPRIETARY
 THIS DRAWING CONTAINS INFORMATION WHICH IS PROPRIETARY TO FENDER MUSICAL INSTRUMENTS CO. AND MAY NOT BE USED, REPRODUCED OR DISCLOSED IN ANY MANNER WITHOUT THE EXPRESS WRITTEN CONSENT OF FENDER MUSICAL INSTRUMENTS CO.
 FENDER MUSICAL INSTRUMENTS CO.
 REGIONAL HEADQUARTERS
 2621 RESEARCH DRIVE
 CORONA, CA 91728 USA

ULTIMATE CHORUS

ULTIMATE CHORUS

PROPRIETARY
 THIS DRAWING CONTAINS INFORMATION WHICH IS PROPRIETARY TO FENDER MUSICAL INSTRUMENTS CO. AND MAY NOT BE USED, REPRODUCED OR DISCLOSED IN ANY MANNER WITHOUT THE EXPRESS WRITTEN CONSENT OF FENDER MUSICAL INSTRUMENTS CO.
 FENDER MUSICAL INSTRUMENTS CO.
 REGIONAL HEADQUARTERS
 2621 RESEARCH DRIVE
 CORONA, CA 91728 USA

ULTIMATE CHORUS

ULTIMATE CHORUS

PROPRIETARY
 THIS DRAWING CONTAINS INFORMATION WHICH IS PROPRIETARY TO FENDER MUSICAL INSTRUMENTS CO. AND MAY NOT BE USED, REPRODUCED OR DISCLOSED IN ANY MANNER WITHOUT THE EXPRESS WRITTEN CONSENT OF FENDER MUSICAL INSTRUMENTS CO.
 FENDER MUSICAL INSTRUMENTS CO.
 REGIONAL HEADQUARTERS
 2621 RESEARCH DRIVE
 CORONA, CA 91728 USA

ULTIMATE CHORUS

ULTIMATE CHORUS

PROPRIETARY
 THIS DRAWING CONTAINS INFORMATION WHICH IS PROPRIETARY TO FENDER MUSICAL INSTRUMENTS CO. AND MAY NOT BE USED, REPRODUCED OR DISCLOSED IN ANY MANNER WITHOUT THE EXPRESS WRITTEN CONSENT OF FENDER MUSICAL INSTRUMENTS CO.
 FENDER MUSICAL INSTRUMENTS CO.
 REGIONAL HEADQUARTERS
 2621 RESEARCH DRIVE
 CORONA, CA 91728 USA

ULTIMATE CHORUS

ULTIMATE CHORUS

PROPRIETARY
 THIS DRAWING CONTAINS INFORMATION WHICH IS PROPRIETARY TO FENDER MUSICAL INSTRUMENTS CO. AND MAY NOT BE USED, REPRODUCED OR DISCLOSED IN ANY MANNER WITHOUT THE EXPRESS WRITTEN CONSENT OF FENDER MUSICAL INSTRUMENTS CO.
 FENDER MUSICAL INSTRUMENTS CO.
 REGIONAL HEADQUARTERS
 2621 RESEARCH DRIVE
 CORONA, CA 91728 USA

ULTIMATE CHORUS

ULTIMATE CHORUS

PROPRIETARY
 THIS DRAWING CONTAINS INFORMATION WHICH IS PROPRIETARY TO FENDER MUSICAL INSTRUMENTS CO. AND MAY NOT BE USED, REPRODUCED OR DISCLOSED IN ANY MANNER WITHOUT THE EXPRESS WRITTEN CONSENT OF FENDER MUSICAL INSTRUMENTS CO.
 FENDER MUSICAL INSTRUMENTS CO.
 REGIONAL HEADQUARTERS
 2621 RESEARCH DRIVE
 CORONA, CA 91728 USA

ULTIMATE CHORUS

ULTIMATE CHORUS

PROPRIETARY
 THIS DRAWING CONTAINS INFORMATION WHICH IS PROPRIETARY TO FENDER MUSICAL INSTRUMENTS CO. AND MAY NOT BE USED, REPRODUCED OR DISCLOSED IN ANY MANNER WITHOUT THE EXPRESS WRITTEN CONSENT OF FENDER MUSICAL INSTRUMENTS CO.
 FENDER MUSICAL INSTRUMENTS CO.
 REGIONAL HEADQUARTERS
 2621 RESEARCH DRIVE
 CORONA, CA 91728 USA

ULTIMATE CHORUS

ULTIMATE CHORUS

PROPRIETARY
 THIS DRAWING CONTAINS INFORMATION WHICH IS PROPRIETARY TO FENDER MUSICAL INSTRUMENTS CO. AND MAY NOT BE USED, REPRODUCED OR DISCLOSED IN ANY MANNER WITHOUT THE EXPRESS WRITTEN CONSENT OF FENDER MUSICAL INSTRUMENTS CO.
 FENDER MUSICAL INSTRUMENTS CO.
 REGIONAL HEADQUARTERS
 2621 RESEARCH DRIVE
 CORONA, CA 91728 USA

ULTIMATE CHORUS

ULTIMATE CHORUS

PROPRIETARY
 THIS DRAWING CONTAINS INFORMATION WHICH IS PROPRIETARY TO FENDER MUSICAL INSTRUMENTS CO. AND MAY NOT BE USED, REPRODUCED OR DISCLOSED IN ANY MANNER WITHOUT THE EXPRESS WRITTEN CONSENT OF FENDER MUSICAL INSTRUMENTS CO.
 FENDER MUSICAL INSTRUMENTS CO.
 REGIONAL HEADQUARTERS
 2621 RESEARCH DRIVE
 CORONA, CA 91728 USA

ULTIMATE CHORUS

ULTIMATE CHORUS

PROPRIETARY
 THIS DRAWING CONTAINS INFORMATION WHICH IS PROPRIETARY TO FENDER MUSICAL INSTRUMENTS CO. AND MAY NOT BE USED, REPRODUCED OR DISCLOSED IN ANY MANNER WITHOUT THE EXPRESS WRITTEN CONSENT OF FENDER MUSICAL INSTRUMENTS CO.
 FENDER MUSICAL INSTRUMENTS CO.
 REGIONAL HEADQUARTERS
 2621 RESEARCH DRIVE
 CORONA, CA 91728 USA

ULTIMATE CHORUS

ULTIMATE CHORUS

PROPRIETARY
 THIS DRAWING CONTAINS INFORMATION WHICH IS PROPRIETARY TO FENDER MUSICAL INSTRUMENTS CO. AND MAY NOT BE USED, REPRODUCED OR DISCLOSED IN ANY MANNER WITHOUT THE EXPRESS WRITTEN CONSENT OF FENDER MUSICAL INSTRUMENTS CO.
 FENDER MUSICAL INSTRUMENTS CO.
 REGIONAL HEADQUARTERS
 2621 RESEARCH DRIVE
 CORONA, CA 91728 USA

ULTIMATE CHORUS

1 2 3 4 5 6 7 8

1 2 3 4 5 6 7 8

1 2 3 4 5 6 7 8